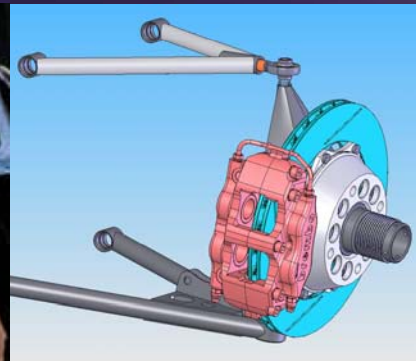


Automotive Technology Group, Inc

Information Package – 2008



Thank you for your interest in Automotive Technology Group (ATG), a full service engineering, manufacturing and motorsport organization. Our customers receive all the benefits of a leading technical partner, including extensive process driven manufacturing experience, engineering prowess and development expertise.



Automotive Technology Group, Inc. is a privately-held California corporation, founded in 2002, specializing in engineering, low-volume manufacturing and program management. Our team has experience executing large programs for automotive OEMs and the defense industry as well as small entrepreneurial programs where educating the customer is as important as the final product.

At ATG, we combine our practical expertise with process driven manufacturing to ensure build quality and presentation is second to none. By paying special attention to detail, we provide effective engineering solutions and OEM build quality that ensures customers' achieve maximum value for their investment.

Mission Statement

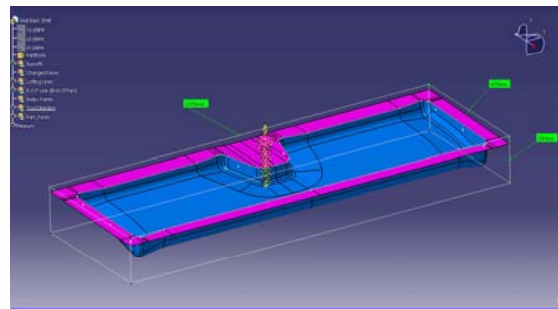
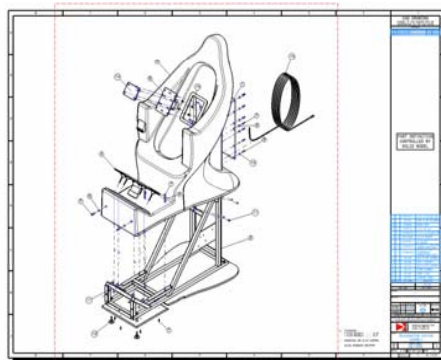
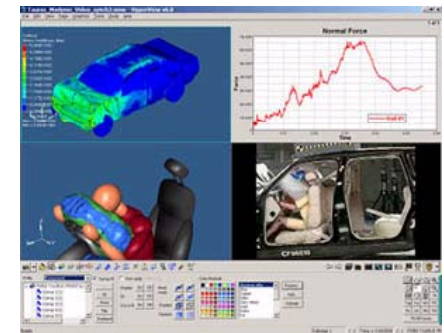
To provide products and services that increase our clients' success and build brand image through precision engineered solutions, high quality niche manufacturing and effective program management.



Engineering and Development Services

Our customers rely on us to provide a wide range of technical services including:

- Complete automotive engineering, design and development
- Engineering and tooling for composite or metal manufacture
- Mechanical simulation – FEA, CFD and kinematic simulation
- Production planning and manufacturing throughput improvement/ simulation
- Component design and development
- Fabrication and component assembly
- Electrical system development and wire harness manufacture
- Dynamic performance evaluation and development
- New product engineering, tooling and development



Prototyping and Modelling

Rapid Prototyping technology has revolutionized the design and product development industries and we are proud to be part of that revolution. By partnering with one of the largest rapid prototyping companies in California we have substantial resources available to support even the largest projects. Projects are completed on site to allow for frequent interaction with the customer.

Rapid Prototyping: SLA, SLS, FDM, Thermojet

Casting: Silicon molding, investment casting, prototype die casting and sand casting

SLA QuickCast: Patterns for investment casting

Model Finishing: Surfacing, paint, hard chrome, vacuum metalizing, model assembly



Manufacturing Overview

ATG manufactures prototype components and assemblies, production tooling and components, as well as providing full assembly services.

We currently provide fabricated, machined and sheet metal assemblies to nearly a dozen individual companies who brand the products we manufacture and sell them as their own. These parts are installed on a wide variety of products around the country.

Components are typically provided complete after powder coating or finishing to customer specifications. Packaging and drop shipping services can be provided.

To ensure quality production, processes are developed for all programs that manage material, work flow and quality.



Engineered Electrical and Control Systems

As the largest supplier of prototype vehicle electrical systems in the United States, and provider of low volume consumer electrical systems, we have the experience to ensure the success of your program. We work with clients to determine their needs ahead of time and carefully engineer the complete system. Detailed manufacturing ensures a quality product and total reliability. To date we a record of 100% reliability in all of the prototype vehicle systems we have manufactured.

Concept Cars: Complete engineered and manufactured systems to control all aspects of the vehicle including remote actuation of lighting systems and advanced hydraulic or electric powered kinematics systems.

Consumer Products: We supply several manufactures with electrical assemblies that we have designed and now manufacture for re-branding and consumer sales.

Low Volume Manufacturing: Low volume manufacturing of electrical looms for race cars, motorcycles and low volume special vehicles. Systems include engine management, data acquisition and telemetry.

Industrial Controls: PLC based systems for process control, data collection and analysis. Full service system design, component specification, PLC ladder programming and implementation.



Motorsport Management

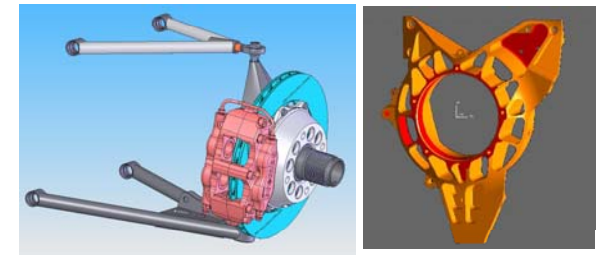
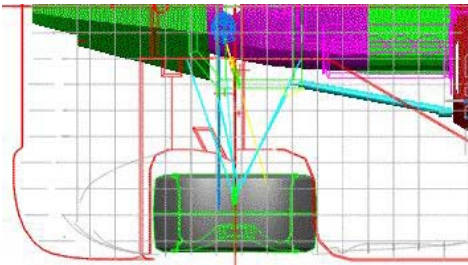
Our team has managed or provided race team services to multiple motor sport programs including such organizations as Bobby Archer Motor Sports, The Champ Car Series, Porsche Motorsports North America, Prodrive, Radical Racecars, Saleen Performance, Truspeed Motorsports and Tool Racing.

We provide management and program planning for new professional programs or existing teams moving up to a new series. On track race engineering, strategy and data acquisition can be provided in addition to private engineering development and testing.

Specific engineering development programs can be carried out including component and assembly engineering, FEA, vehicle dynamics, model making and aerodynamic development, performance simulation, non-destructive testing and failure analysis.

Race car preparation or fleet maintenance is performed at our facility to ensure your race cars are ready for the next event. We maintain all the resources of a professional motorsport organization including transporters, timing stands, pit carts, pit awnings, tire carts, motor scooters, and setup equipment, including digital scales and alignment tools.





Engineering Tools

Catia V5

Solidworks 2006

FARO arm digitizing & Laser scanning

AutoCad

Cosmos FEA analysis

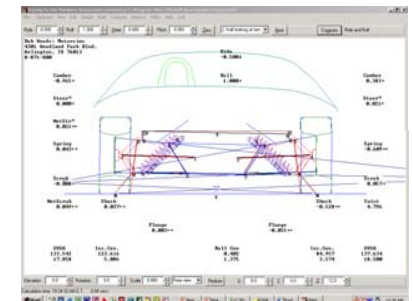


Vehicle Simulation Software

Win-geo V3 Suspension Geometry

Proprietary Vehicle Dynamic Software

Motec, Pi, DTA, AIM Data & Engine Management



Manufacturing

Rapid Prototyping and model finishing

CNC and manual machining

Component and assembly manufacturing

Tooling and assembly for composite structures

Proprietary project management software

Prototyping capability for one off projects

Low volume tooling and manufacture of special projects

Process driven manufacturing

Experienced supply chain management



Please enjoy the following sample of projects where we have contributed to the overall success of the project to the customers delight.



Ford Airstream
Complete electrical system manufacture & install. PLC based with remote control of kinematics and lighting sequences



Kia Kue
Complete electrical system manufacture & install. Basic system with remote control functionality



Jeep Trail Hawk
Complete electrical system manufacture & install. Basic system with PLC based electronic transmission control



Dodge Ramage
Engineered mid-gate kinematics and provided new electrical system after original supplier failed to deliver



ATG is the largest U.S. manufacturer and supplier of replacement and upgrade components for the Radical line of racecars.



Piper Piperjet
Complete electrical system manufacture & install. Interior & exterior lighting system with show power and air conditioning



Mazda Kabura
Complete electrical system manufacture & install. PLC based with remote control of kinematics and lighting sequences



Dodge Hornet
Complete electrical system manufacture & install of basic system.



Fisker Karma
Complete PLC based electrical system manufacture And installation. Manufactured all rapid prototype components, finish modeled and installed interior and exterior details.



Jeep Renegade
Engineered aluminum chassis and suspension as well as packaging electric power train and batteries.



Toyota ABAT
Complete carbon fiber body engineering and tooling design. Kinematic design of shut faces Including suicide doors, Mid-gate, tail-gate, and unique bed storage facilities



Volvo Concept Center
Engineered and manufactured advanced active safety system. We would love to tell you more but it is top secret.



Norma M20F Sales
We are the highest volume Dealer in the US providing car and part sales, race prep, and arrive and drive services. Pictured is our professional race transporter



Control and video electronics
Engineered and manufacture integrated circuit board based video switching device to control entertainment systems and hide away HD TV in infrared sauna for consumer market.



Rejuvenation Station
Engineered, prototyped and developed to production ready. Complete manufacturing engineering documentation, sourced components, vendor management, and production manufacturing



Tricom Research
Engineered multiple remote surveillance systems for the US military now in action around the world



Automotive Technology Group is fully committed to achieving all of our customers' objectives by working with you to develop a program that addresses your specific needs, including:

- Engineering and development for all manner of programs including OEM, aftermarket, product development, manufacturing, tooling, and motorsport
- Largest supplier of custom engineered electrical systems for prototype and low volume special vehicles
- Low-volume manufacture of consumer products for many industries including; up-fitted or new complete automobiles, vending personal massage chairs, consumer electronics, defense and military products.
- Complete race car preparation, arrive and drive programs, motorsport management, race team execution, and sponsor hospitality

We invite you to visit us with your engineering or manufacturing challenge so that we may provide you with a well engineered, quality solution.

Contact:	Steve Trindade
Phone:	949-296-2152
Cell:	817-875-5268
E-Mail:	Strindade@AutomotiveTechnologyGroup.com
Address:	17173-B Gillette Ave Irvine, CA 92614
Web:	www.AutomotiveTechnologyGroup.com

